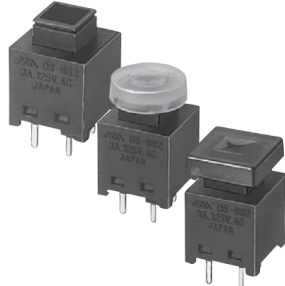
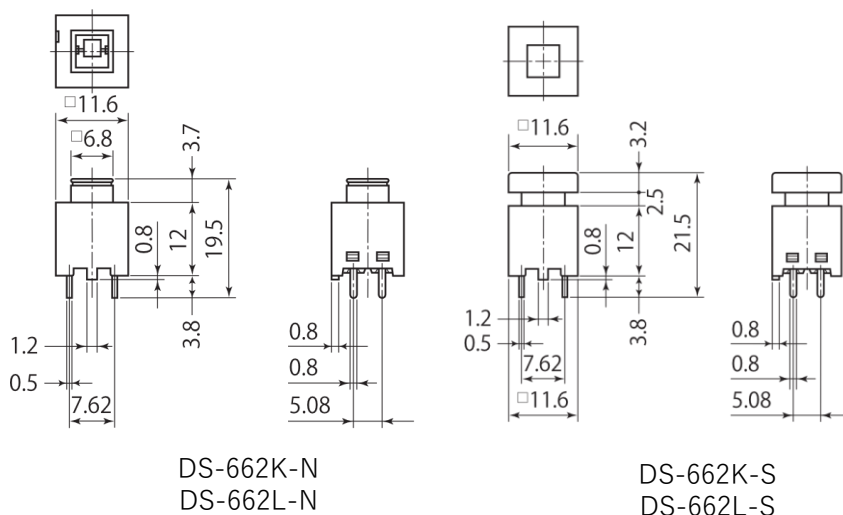


# Product Description

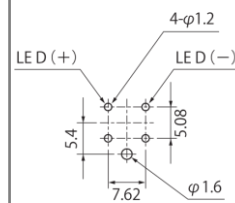
## 製品説明

Number 品番	DS-662	Type 種類	Push Switch 押釦スイッチ	Photo 写真 
Circuit 回路	SPST (2P)	Operation 機能	See detail column 詳細欄参照	
Rating 定格	3A.125V.AC	Terminal 端子	PC terminal PC端子	
Insulation resistance 絶縁抵抗	DC.500V/100MΩ or more	Voltage breakdown 耐電圧	AC.1,000V/min	
Contact resistance 接触抵抗	20mΩ or less	Standard 規格		

### Dimensions 寸法図



### Mounting Hole 取付穴参考寸法



### Details 詳細

Snap-in mounting, non-locking, rubber click switch.  
照光式(LED)、ロック・ノンロックが選べるスイッチです。

The part numbers are DS-662-①-②-③ with the following symbols in each number.  
品番はDS-662-①-②-③の各番号に下記の記号が入ります。

① Appearance Shape ① 動作機能		② Button shape ② 釦形状		③ Built-in LED ③ LED	
OFF-ON Locking type (alternate)	K	Round shape 丸形状	C	LED Red	R
OFF-(ON) Non-locking type (momentary)	L	Square shape 角形状	S	LED Green	G
		Without button 釦なし	N	LED Yellow	Y
				Without なし	N

The color of the button station can be selected for LED or without LED.

釦の色はLED用とLEDなし用で選べます。

釦の色 Button color	
LED Red	TR
LED Green	TG
LED Yellow	TY
LED なし	R
	K
	W

Electrical characteristics of built-in LED (If=20[mA])  
内蔵するLEDの電気特性 (If=20[mA])

LED	Vf[V]	Iv[mcd]	λ P[mcd]
Red	1.7	typ.8	typ.660
Green	2.1	typ.8	typ.570
Yellow	2.1	typ.4	typ.555